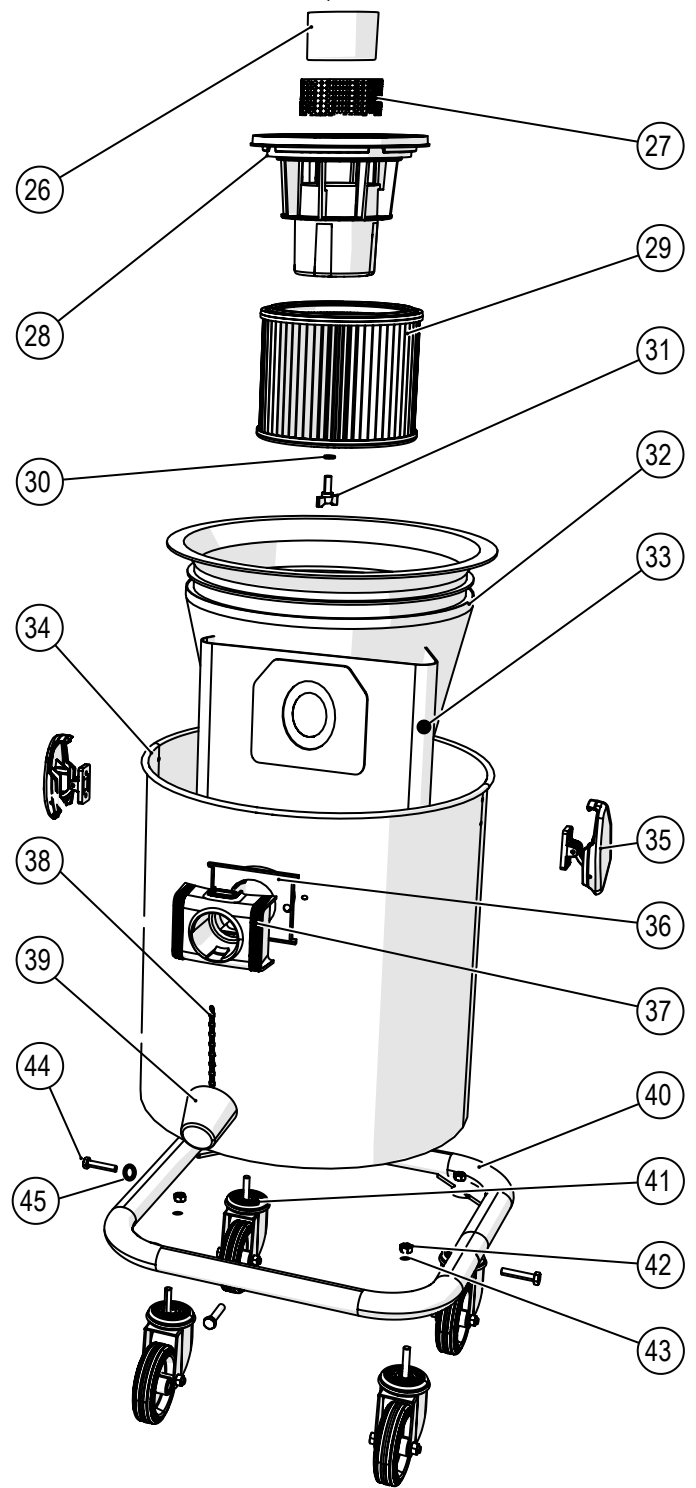
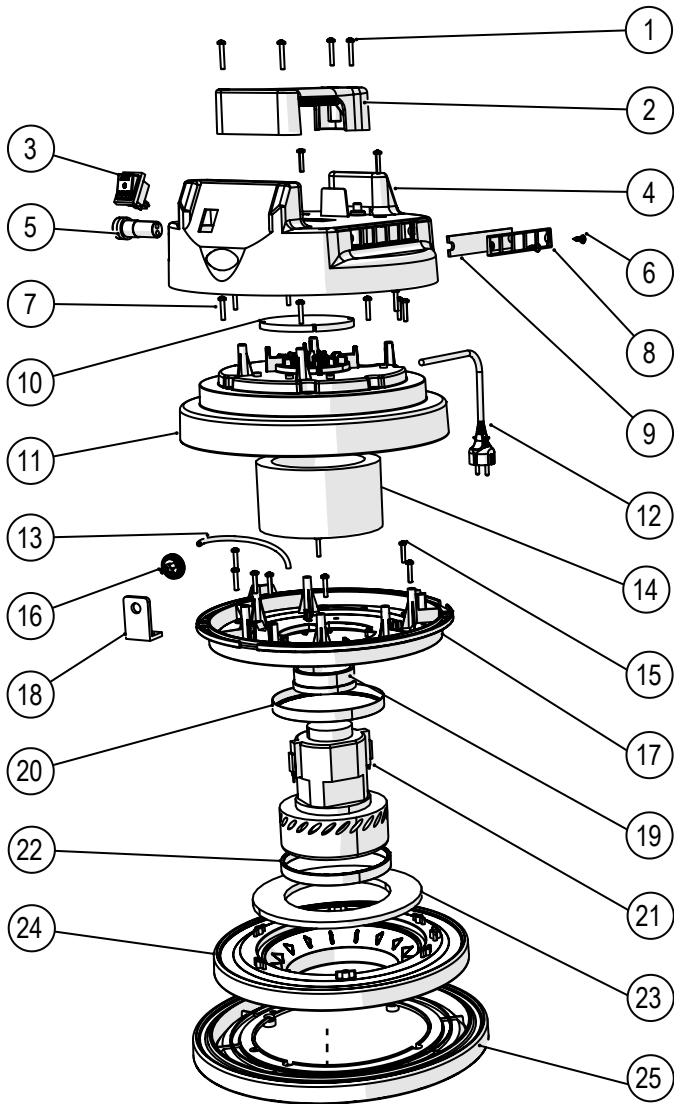


MAXI 50



MAXI 50

Pos.	Cod.	Q.ty	Description
1	VTVS7513	4	Self Tipping Screw 5x30 ZN
2	VTVS7492	1	Handle E.2
3	VTVC7422Y	1	SWITCH - SEALED & YELLOW V-TUF 'VRS' TYPE 10AMP
4	VTVS7478	1	Black Cover
5	VTVS7437	1	Light/Buzzer 230V~ + 110V~
6	VTVS7510	2	Self Tipping Screw 3,5x12 TC ZN
7	VTVS7512	6	Self Tipping Screw 5x25 TC ZN
8	VTVS7490	1	Plastic Grid L144mm
9	VTVS7448	1	Foam Filter 130x25x7mm
10	VTVS7163	1	Noise Foam H10mm - Ø110mm
11	VTVS7484	1	Black Motor Cover Ø345mm
12	12a I10.15 05C- 110V Cable 12b I10.16 05C- 240V Cable	1	5m Power Cord
13	VTVS7504	0,16/mt	Hose PUA95 Extra-Flex Ø6x4
14	VTVS7447	1	Sealed Filter MTP65/AU H=88 Ø160-120
15	VTVS7512	6	Self Tipping Screw 5x25 TC ZN
16	VTVS7431	1	Air pressure Switch
17	VTVS7480	1	Motor Holder Ø336 Black
18	VTVS7432	1	Anti-vibration support
19	VTVS7480	1	Motor Plastic Spacer Ring h=15
20	VTVS7455	1	"L" Gasket s/f H=5mm
21	21a VTVS7825- 240V Motor 21b VTVS7826- 110V Motor	1	Motor Double Stage By-Pass
22	VTVS7450	1	Plane Gasket H=3mm
23	VTVS7446	1	Washer MTP/65 Ø230x145x20 with 16Hole
24	VTVS7470	1	Yellow Double Stage Motor Base Ø436
25	VTVS7472	1	Black Base Adapter Ø370mm
26	VTVS7494	1	Float Ø80
27	VTVS7493	1	Circular Grid Ø92mm H40mm
28	VTVS7494	1	Float Supporting Ø168 with Nut and Gasket
29	VTVS7021U	1	Ulpa 15 Cartridge Filter Ø190 H155 mm
30	VTVS7453	1	Rubber Gasket NBR 15x7,8x2mm
31	VTVS7506	1	Cartridge Wingnut M8x20
32	VTVS8055	1	Polyester Filter Ø370mm
33	VTVS055	1	Polyester Bag

MAXI 50

Pos.	Cod.	Q.ty	Description
34	VTVS7476	1	Stainless Steel Tank Ø370mm
35	VTVS7491	2	Black Complete Spring Hook
36	VTVS7164	1	Gasket inlet Ø48
37	VTVS7165	1	Inlet Ø48
38	VTVS7503	0,15mt	Metal Chain
39	VTVS7502	1	Stopper Ø48mm
40	VTVS7415	1	Metal Trolley
41	VTVS7498	4	Wheels Ø80mm with Nut
42	VTVS7517	4	Closed nut M10
43	VTVS7517	4	Washer M10
44	VTVS7517	4	Cross Screw M5x35
45	VTVS7517	4	Washer M5