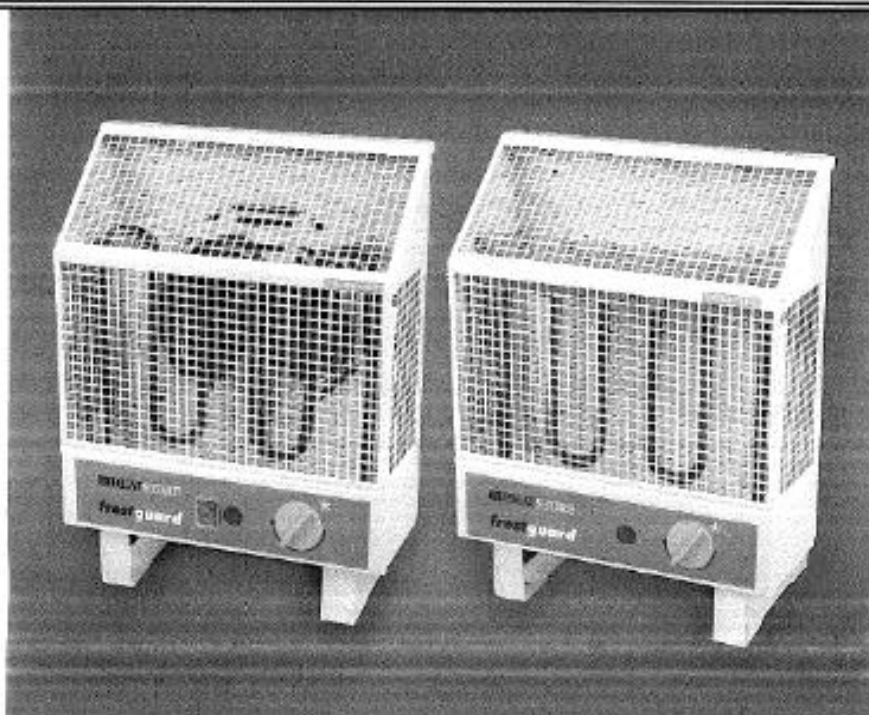


V-TUF H0011 FROST HEATER

INSTALLATION, OPERATION AND MAINTENANCE INSTRUCTIONS FOR FROST GUARD



All electrical appliances produced for the Company are guaranteed for one year against faulty materials or workmanship. This applies only if the appliance has been used for purposes in accordance with the instructions provided and has not been connected to an unsuitable electricity supply, or subject to misuse, neglect, damage or modified or repaired by any person not authorised by us. This guarantee is offered to you as an extra benefit and does not affect your legal rights.

The correct electricity supply voltage is shown on the rating label attached to the appliance.

Reasonable care has been taken to ensure that this guide is accurate at the time of printing. In the interest of progress the Company reserve the right to vary specifications from time to time without notice.

V-TUF H0011 FROST HEATER

Overview

The FrostGuard has been designed for reliable frost protection.

Please read this guide carefully and retain for future use and maintenance.

This appliance has been designed and manufactured to the highest international standards, however, care must be taken for optimal results and safety. This appliance also meets the requirements of EU Directive 2004/106/EC for EMC and 2009/125/EC Directive.

Safety & Care

The appliance is not intended for use by persons (including children) with reduced physical, sensory or mental capabilities or lack of experience and knowledge unless they have been given supervision or instruction concerning use of the appliance by a person responsible for their safety.

Warning

- Ensure that nothing is pushed into any aperture of this appliance.
- Do NOT touch outlet grille when appliance is in use.
- Do NOT cover or restrict any aperture of the appliance when in use.
- Do NOT use the appliance if damaged.
- Do NOT leave the appliance unattended where young children are present.

WARNING – If used in a bathroom this appliance must be wall mounted so that no part of it can be touched by any person using a bath or shower and must be installed in accordance with the IEE wiring regulations.

Where this appliance is to be used in areas subject to moisture, dampness and severe changes in temperature, it is recommended that the appliance is connected directly to fixed wiring via an RCCB, in accordance with the latest IEE Wiring Regulations.

Cleaning

Always disconnect the heater from the mains before cleaning. The heater should not require any maintenance, but it is strongly advised that it is kept clean. An occasional wipe over with a soft cloth is all that should be necessary.

- Do NOT use metal or furniture polish on any part of the heater.
- Do NOT touch the heater with wet hands or in any way bring water into contact with it.

If the supply cord is damaged, it must be replaced by the manufacturer or its service agent or a similarly qualified person in order to avoid a hazard.

If Your Heater Does Not Work

- Check that the plug is firmly pushed into the wall socket with the socket switched to ON.
- Check that the socket is live by using another appliance in it. (If is not live check the fuse at the distribution board).
- Check that the plug fuse has not blown. (This can be done by replacement with another suitable fuse).
- If you are replacing a fuse in the plug a 5 Amp fuse approved by ASTA to BS1362 must be used.
- Check and read section under Thermal operated cut-out.
- Should none of the above remedies work then disconnect heater from the mains and consult an accredited service agent.
- If the appliance is still under guarantee, return it to your supplier.

V-TUF H0011 FROST HEATER

Installation

If your appliance is to be used permanently in a single location, it should be fixed to the wall or floor..

WALL MOUNTING INSTRUCTIONS

The appliance can be fixed to the wall in the upright position as shown in diagram A with the control panel at the bottom.

For rigid fixing of the appliance use 4 off no 8 x 1" long round head wood screws (not supplied).

Mark on the wall the position of the keyhole mounting holes making sure they are horizontal and on 180 mm centers. Reference should be made to Diagram A for mounting restrictions. Drill out holes and insert rawlplugs. Screw 2 screws into the wall until approximately 2.5 mm of the screws, excluding the head, is left exposed, see Diagram C. Position unit on wall locating screws into keyhole slots. Mark off onto wall the 2 lower fixing screw positions; remove the unit from the wall. Drill and rawlplug lower fixing holes, and re-position unit on upper screws and secure to the wall with lower fixing screws.

FLOOR MOUNTING/FREE STANDING

Your appliance can be used in the following ways; diagrams A & B show size of unit and minimum operating distances. Do not use this heater in the immediate surroundings of a bath, a shower or a swimming pool. The heater must not be located immediately below a fixed socket outlet. The heater can be fixed to the floor in two ways as shown in Diagrams A & B. For the method of fixing to the floor, refer to wall mounting instructions which are very similar.

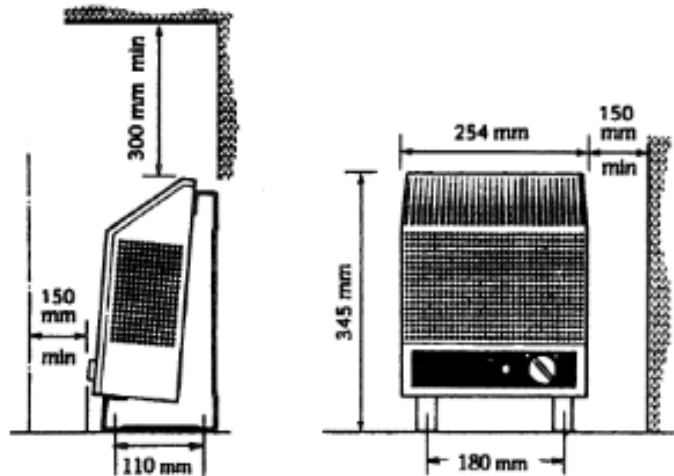


Diagram A

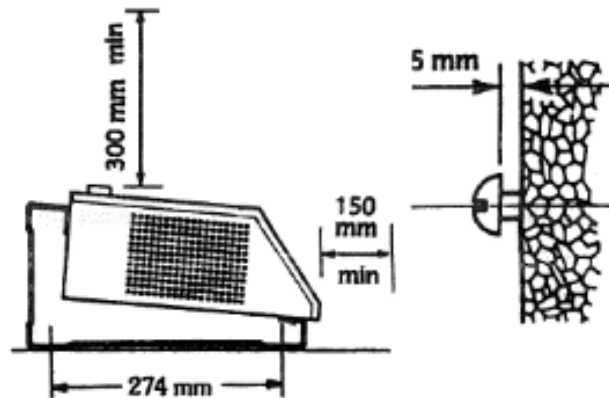
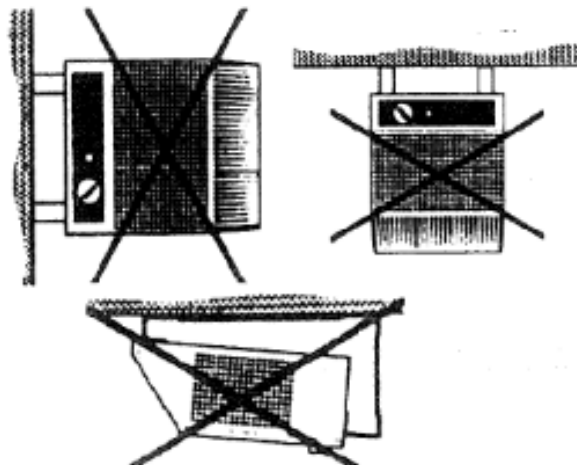


Diagram B

Diagram C

WARNING - the appliances should not be installed in the following ways.



V-TUF H0011 FROST HEATER

Controls

Model HSMP05 has a heat rating of 0.45 kW. Model HSMP10, which is fan assisted, has a heat output of 1.0 kW and incorporates a switch which controls the element. With the switch in the position shown in Diagram D, both element and fan are engaged.

With the switch in the position shown in Diagram E the fan only will run.

Both these switch settings are subject to thermostat control.



Diagram D



Diagram E

THERMOSTAT

The appliance is fitted with a thermostat. To set the thermostat to the require temperature turn the control knob fully clockwise, to the position shown in figure 1 . When desired room temperature is reached, turn the knob slowly anti-clockwise and when the thermostat clicks off leave the control at this setting. hereafter the appliance will control the heat output automatically. A 'FrostGuard' position is marked on the unit. This is the lowest setting on the thermostat and represents approximately 5°C.



Figure 1



Figure 2

FROST FIGHTER SETTING

Your appliance can be used in various situations to protect against frost.

Examples are; in the attic, protecting water tanks and pipes.

To set the unit to function in these environments, turn the thermostat knob anti-clockwise to the 'frost guard' position, as shown in figure 2..

The thermostat is now set at approximately 5°C. This means that when the air temperature around the unit drops below approximately 5°C the unit will switch itself on. It will continue to operate until the air temperature surrounding the unit rises above 5°C and then will switch itself off, coming back on again when the temperature starts to drop.

THERMAL OPERATED CUT-OUT

The appliance is fitted with a thermally operated cut-out (TOC). This is a safety device, which switches the heater off if, for any reason, the appliance overheats. The TOC can only be re-set after the appliance has cooled down. In order to re-set the TOC, proceed as follows:

- Switch off appliance and leave for approximately 5 minutes.
- Switch appliance back on and the TOC will re-set.
- Ensure that the appliance is functioning correctly. If the ES Control operates again, the appliance should be checked by a competent Electrician.