

D440FD5

T493000001-0001001

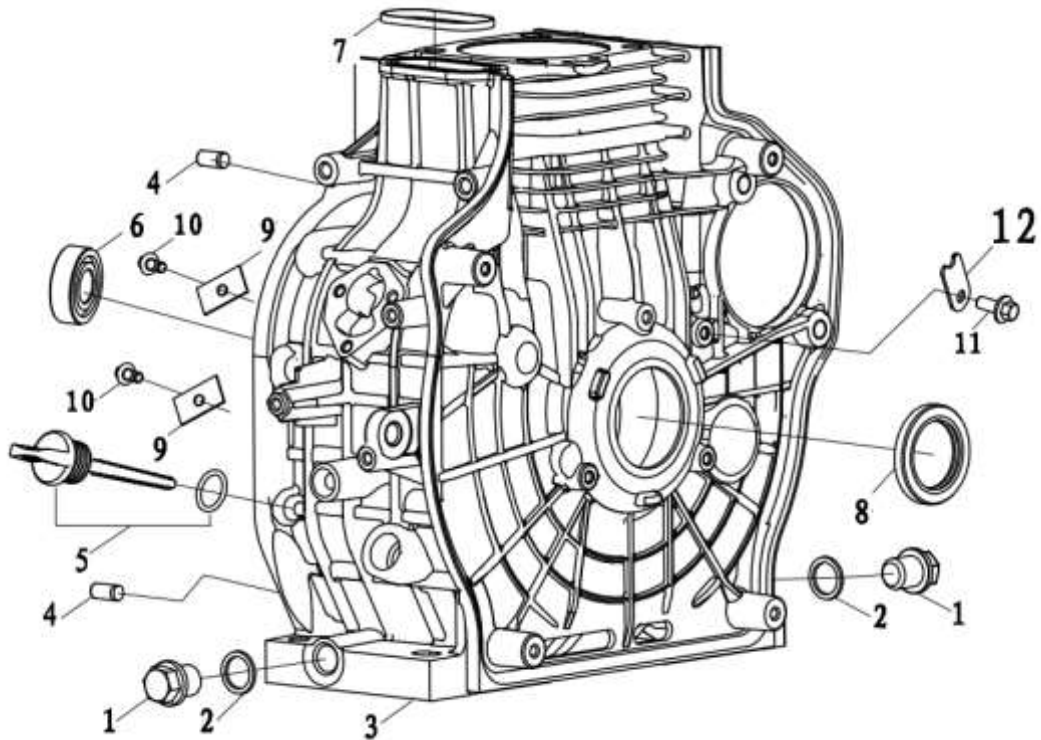
LC/LT-2020-A

STAGE V

LONCIN MOTOR CO., LTD.

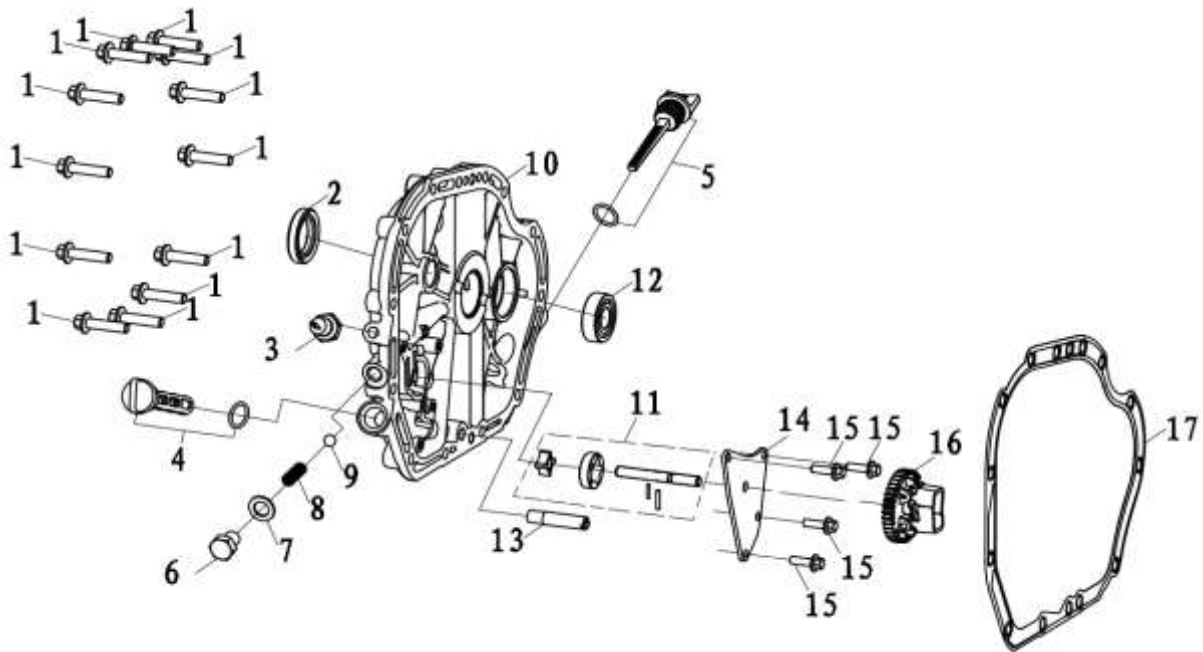


CRANKCASE



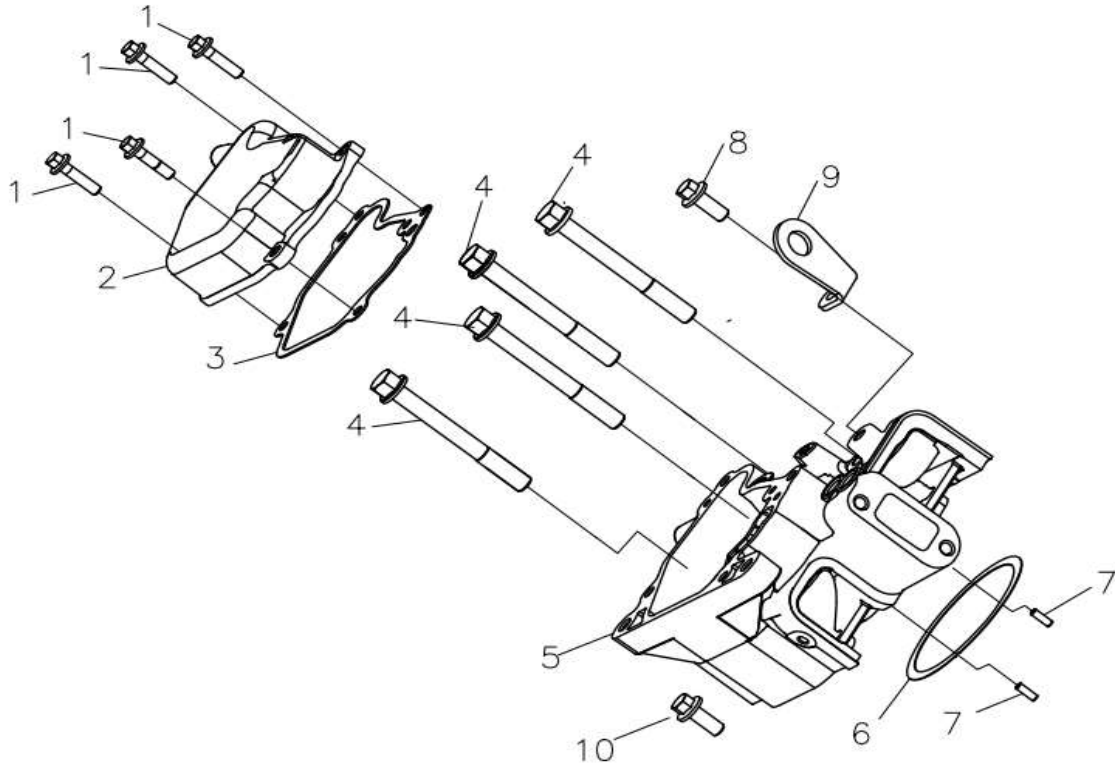
Item No.	Part Number	Description	Q'TY	Remark
1	110260051-0001	Sealing plug screw	2	
2	380450830-0001	Flat washer	2	
3	110810169-0001	Crankcase body	1	
4	380600169-0001	Location pin	2	
5	110690051-0001	Oil rule combination	1	
6	380630504-0001	Bearing	1	
7	380840792-0001	Seal ring	1	
8	380650574-0001	Oil seal	1	
9	130240004-0001	Plate, Bearing(L)	2	
10	380140040-0005	Hexagon bolt with flange	2	
11	380140215-0003	Hexagon bolt with flange	1	
12	130280003-0001	Plate, Bearing(R)	1	

CRANKCASE COVER



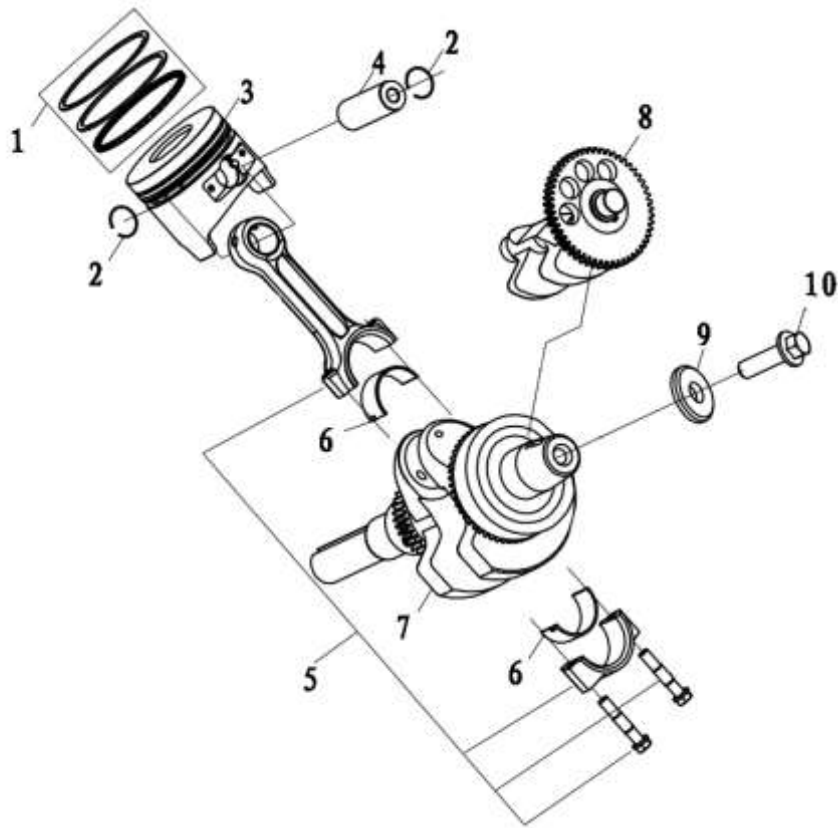
Item No.	Part Number	Description	Q'TY	Remark
1	380140051-0005	Hexagon bolt with flange	14	
2	380650575-0001	Oil seal	1	
4	150290021-0001	Engine oil Strainer	1	
5	110690051-0001	Oil rule combination	1	
6	380070288-0001	Hexagon bolt	1	
7	380450516-0001	Flat washer	1	
8	381150514-0001	Compression spring	1	
9	380640016-0001	Steel ball	1	
10	110820187-0001	Crankcase cover	1	
11	150010101-0001	Components of oil pump	1	
12	380630504-0001	Bearing	1	
13	380780123-0001	coupling	1	
14	150040031-0001	Oil pump cover	1	
15	380140003-0005	Hexagon bolt with flange	3	
16	171750048-0001	Components of governor gear	1	
17	110830047-0001	Crankcase cover gasket	1	

CYLINDER HEAD



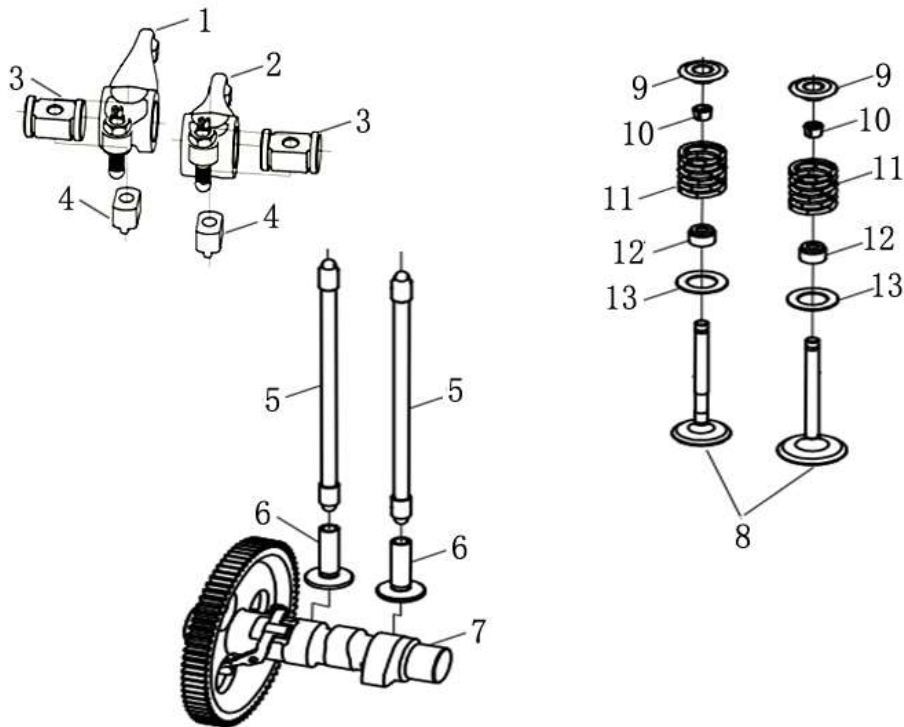
Item No.	Part Number	Description	Q'TY	Remark
1	380140102-0004	Hexagon bolt with flange	4	
2	120220046-0001	Cylinder head cover assy	1	
3	120250036-0001	Gasket for cylinder head cover	1	
4	380140554-0001	Hexagon bolt	4	
5	120080937-0001	Cylinder head	1	
6	120150173-0001	Gasket for cylinder head	1	
	120150201-0001	Gasket for cylinder head	1	
	120150202-0001	Gasket for cylinder head	1	
7	380600167-0001	Location pin	2	
8	380140004-0004	Hexagon bolt with flange	1	
9	120550005-0001	Lifting eye	1	
10	380140051-0005	Hexagon bolt with flange	1	

PISTON / CRANKSHAFT



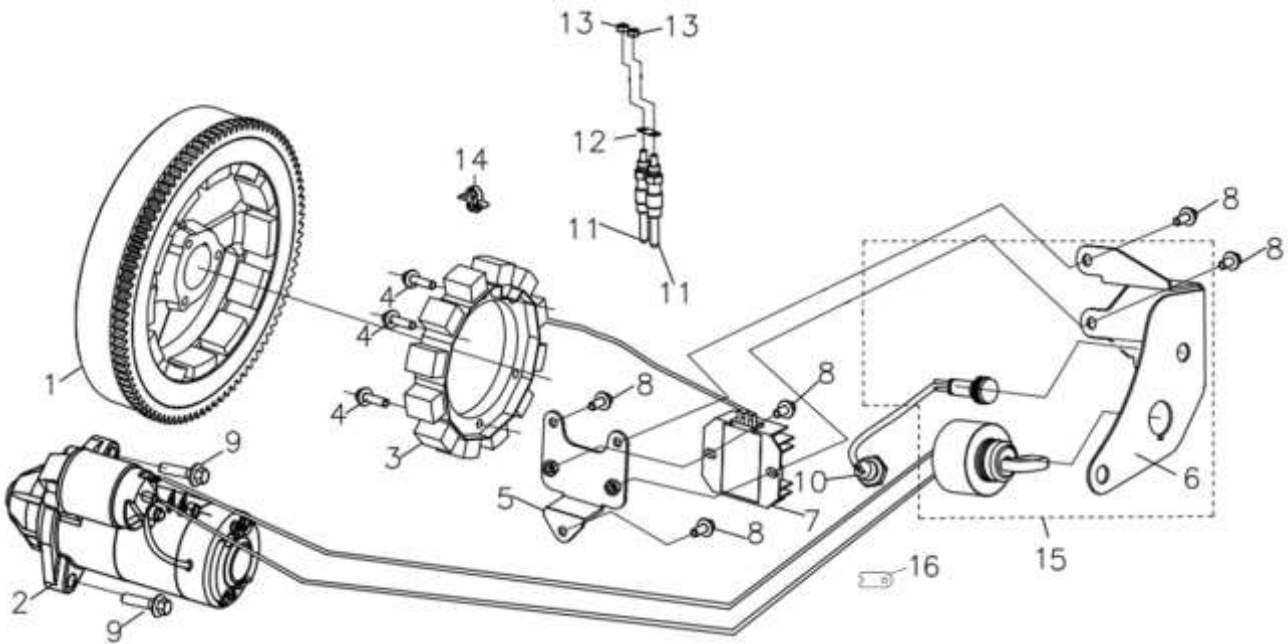
Item No.	Part Number	Description	Q'TY	Remark
1	130070167-0001	Piston ring combination	1	
2	380560103-0001	Steel cable baffle ring	2	
3	130030186-0001	Piston	1	
4	130060062-0001	Piston pin	1	
5	130150089-0001	Connecting rod	1	
6	110280009-0001	bearing bush	2	
7	130290586-0001	crankshaft	1	
8	130430019-0001	Balancing shaft	1	
9	380450702-0001	Flat washer	1	
10	380140457-0001	Hexagon bolt	1	

VALVES



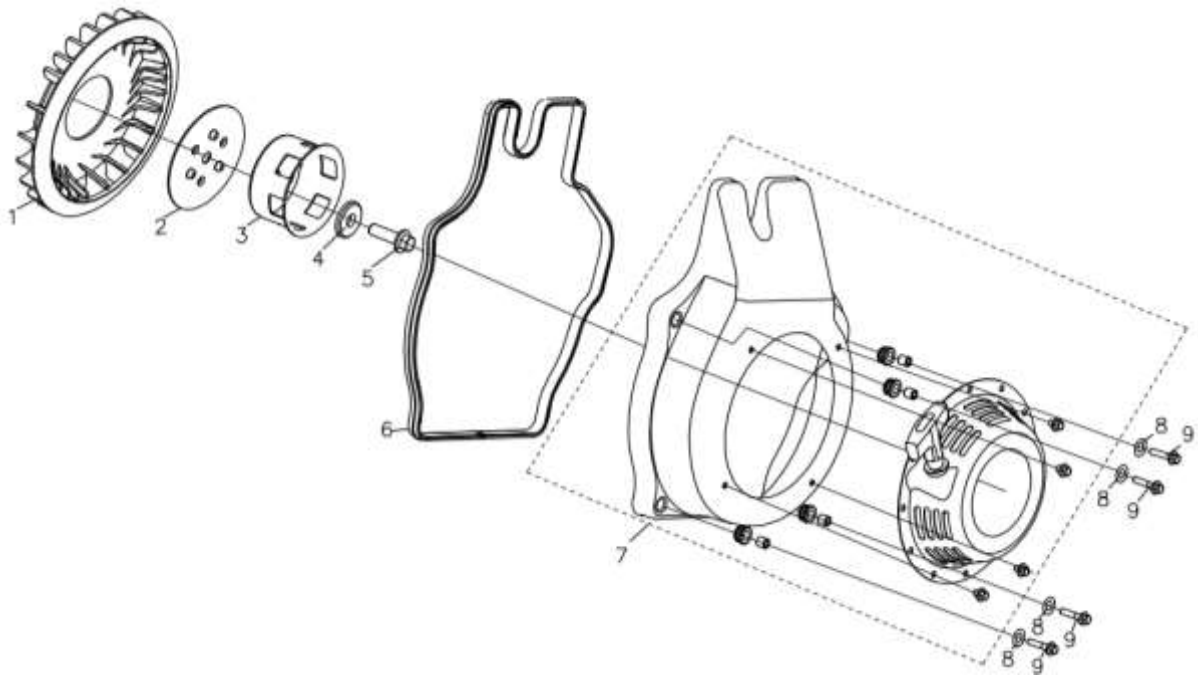
Item No.	Part Number	Description	Q'TY	Remark
1	140450072-0001	Valve rocker combination	1	
2	140450073-0001	Valve rocker combination	1	
3	140510062-0001	Valve rocker shaft	2	
4	140540029-0001	Rocker support seat	2	
5	140670055-0001	Push rod	2	
6	140690023-0001	Lifter, Valve	2	
7	140020175-0001	Camshaft assy	1	
8	500550100-0001	Valve Kit	1	
9	140380040-0001	Retainer, valve spring	2	
10	140390015-0001	Valve locker	4	
11	140340040-0001	Inner spring of valve	2	
12	140400012-0001	Valve oil seal	2	
13	140360014-0001	Seat, valve spring	2	

FLYWHEEL / ELECTRIC STARTER



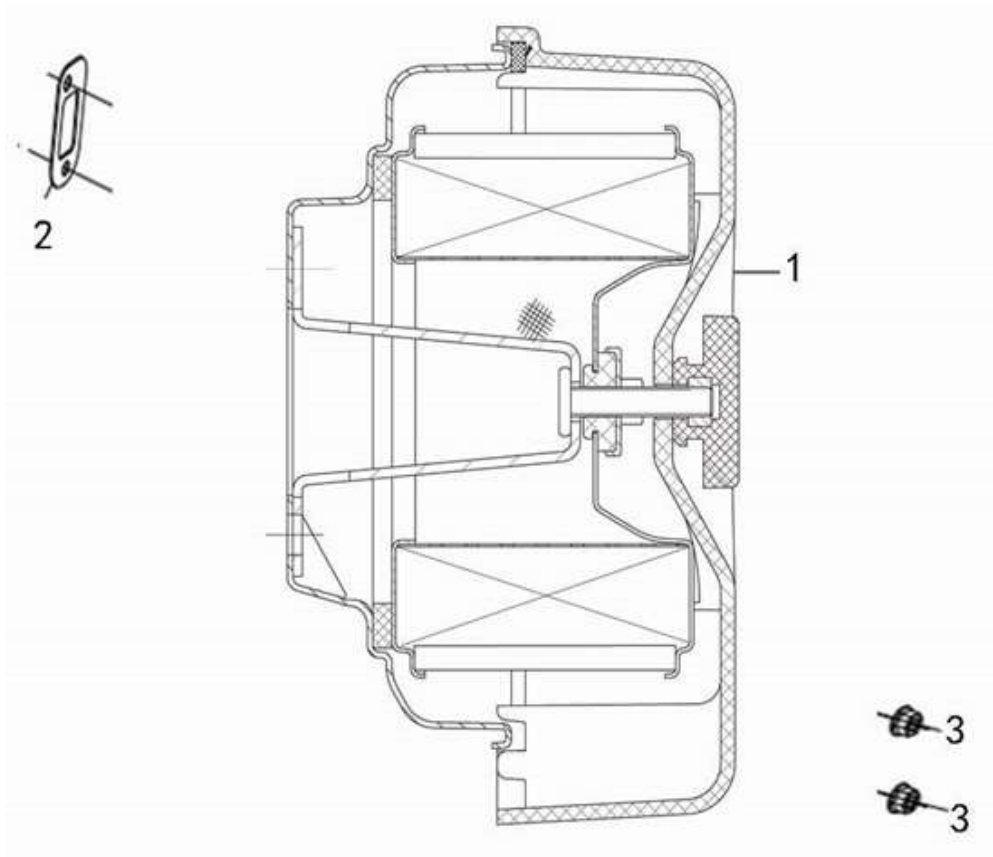
Item No.	Part Number	Description	Q'TY	Remark
1	270020213-0001	FLYWHEEL COMP	1	
2	270360060-0001	Components of starting motor	1	
3	270190013-0001	Components of charging current armature	1	
4	380140102-0004	Hexagon bolt with flange	3	
5	270910010-0001	rectifier voltage regulator Support	1	
6	271380040-0001	Ignition Switch Support	1	
7	270880146-0001	Rectifier Variable voltage rectifier	1	
8	380140215-0003	Hexagon bolt with flange	5	
9	380140126-0004	Hexagon bolt with flange	2	
10	283690003-0001	Oil level alarm	1	
11	273540001-0001	Heaters	2	
12	273560001-0001	Heaters Fixing plate	1	
13	380370047-0003	Hexagon nut	2	
14	380930027-0001	Location wire nail	2	
15	271810023-0001	Start control switch	1	
16	270280020-0001	Tension disc for wire bundle	1	

STARTER RECOIL



Item No.	Part Number	Description	Q'TY	Remark
1	160180030-0001	Impeller	1	
2	660880002-0001	Impeller pressing plate	1	
3	193590019-0001	Starting disc	1	
4	380450702-0001	Flat washer	1	
5	380140457-0001	Hexagon bolt	1	
6	380840758-0001	Seal ring	1	
7	193490200-0001	Manual starting assembly	1	
8	380450828-0001	Flat washer	4	
9	380140095-0005	Hexagon bolt with flange	4	

AIR FILTER



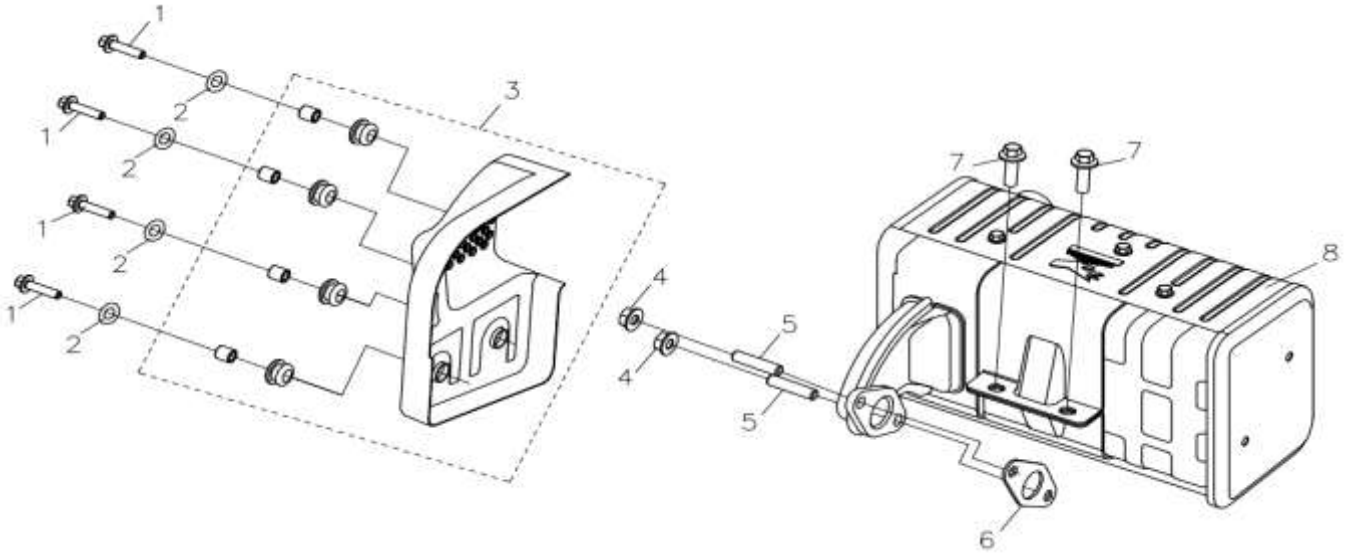
ITEM NO.	PART NUMBER	DESCRIPTION	Q'TY
1	180010127-0001	Air filter	2
2	183000002-0001	Air intake gasket	1
3	380370074-0002	Hexagon nut with flange	1



180130299-0001

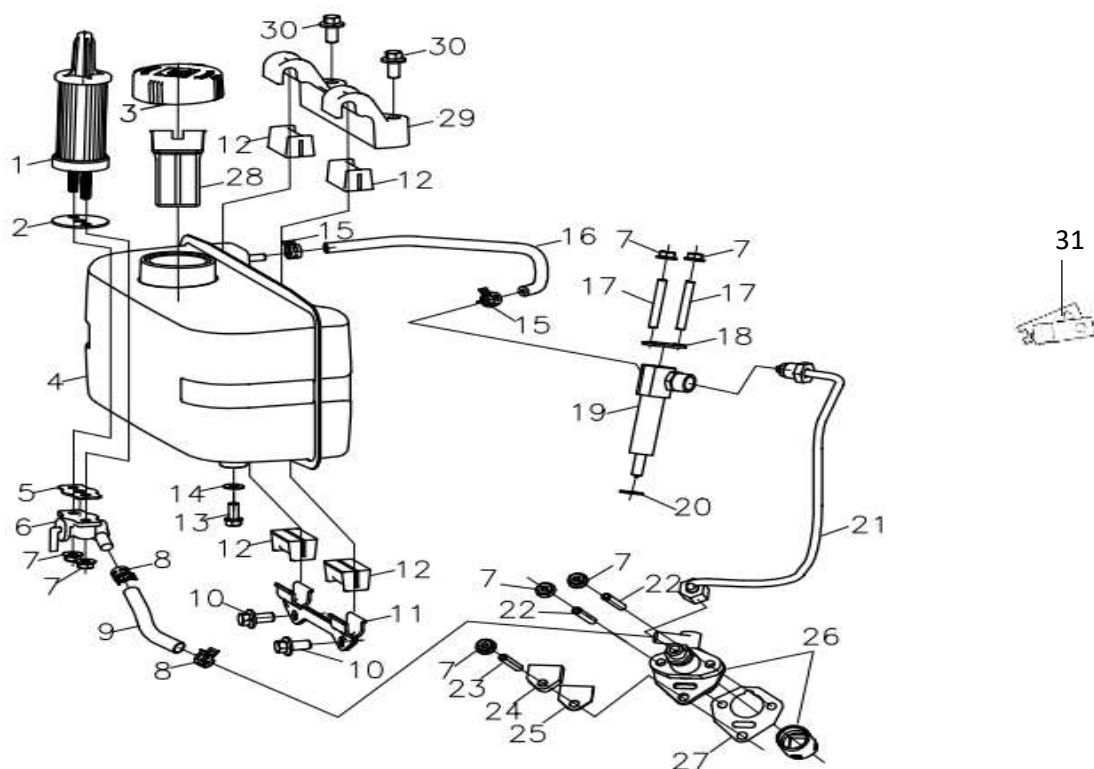
FILTER ELEMENT

MUFFLER



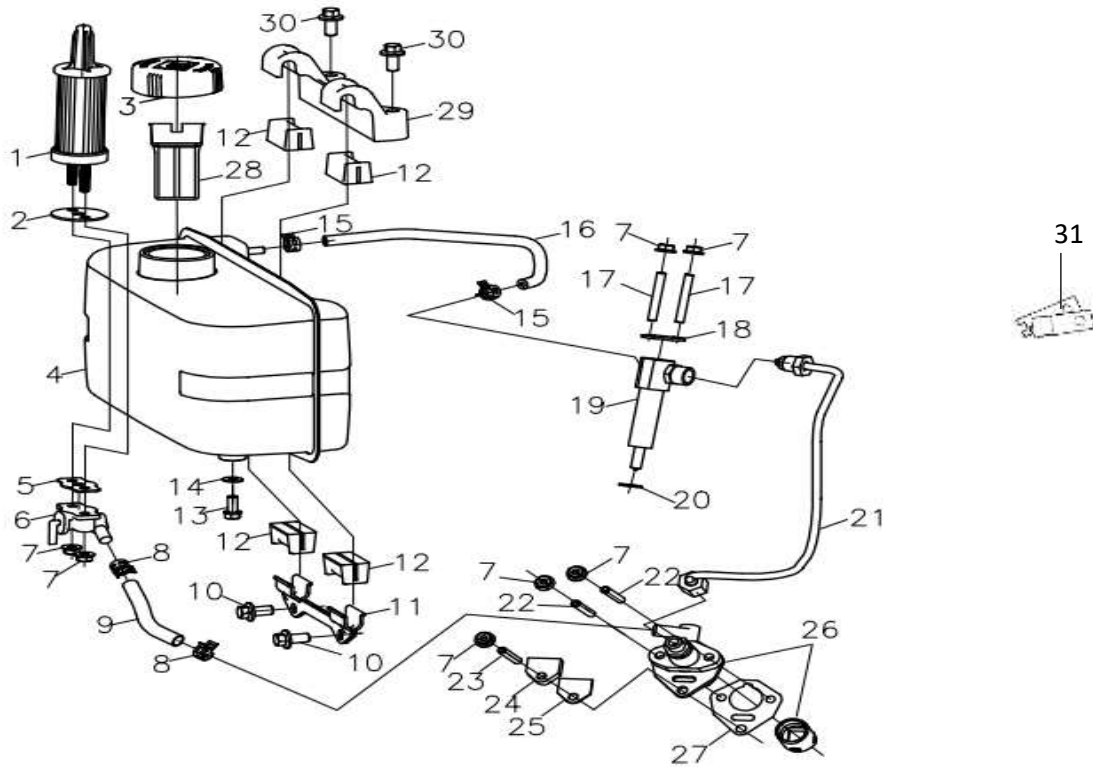
Item No.	Part Number	Description	Q'TY	Remark
1	380140102-0004	Hexagon bolt with flange	3	
2	380450828-0001	Flat washer	3	
3	160190059-0001	air deflector	1	
4	380340005-0005	Hexagon nut	2	
5	380180098-0001	Stud	2	
6	180660072-0001	Muffler gasket	1	
7	380140004-0004	Hexagon bolt with flange	2	
8	180572426-0001	Muffler	1	

FUEL SYSTEM



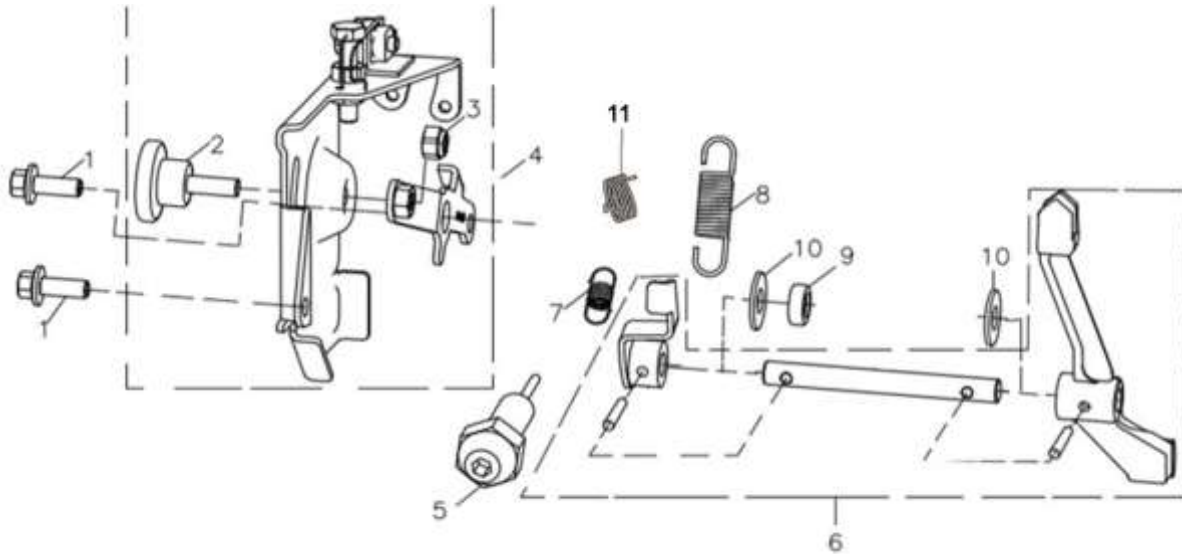
Item No.	Part Number	Description	Q'TY	Remark
1	170010030-0001	Fuel filter	1	
2	660310019-0001	Sealing washer	1	
3	170870089-0001	Tank cover	1	
4	170500938-0001	Tank	1	
5	171020032-0001	Oil switch gasket	1	
6	170980092-0001	Components of oil switch	1	
7	380370066-0001	Hexagon nut with flange	7	
8	380960198-0001	Clip combination	2	
9	380750661-0002	Oil tube	1	
10	380140004-0004	Hexagon bolt with flange	2	
11	301560017-0001	fuel Tank Bracket	1	
12	170700141-0001	Tank damping cushion	4	
13	110260056-0001	Sealing plug screw	1	
14	380450916-0001	Flat washer	1	
15	380960170-0002	Clip combination	2	
16	380750487-0002	Oil tube	1	
17	380180138-0001	Stud	2	
18	174180001-0001	Fuel Pump Platen	1	

FUEL SYSTEM



Item No.	Part Number	Description	Q'TY	Remark
19	173010006-0001	Injector	1	
20	380450829-0001	Flat washer	1	
21	380750529-0001	Oil tube	1	
22	380180137-0001	Stud	2	
23	380180145-0001	Stud	1	
24	174160001-0001	Fuel Pump Cover	1	
25	174170001-0001	Fuel Pump Seal	1	
26	174130002-0001	Fuel Pump	1	
27	174140001-0001	Fuel Pump Gasket	1	T270_ copper; 0.3 thick.
	174140001-0002	Fuel Pump Gasket	1	T270_ copper; 0.4 thick.
	174140001-0003	Fuel Pump Gasket	1	T270_ copper; 0.2 thick.
28	170720010-0001	Pouring orifice filter screen combination	1	
29	301560016-0001	fuel Tank Bracket	1	
30	380140005-0006	Hexagon bolt with flange	2	
31	380950396-0001	Pipe clip	1	

CONTROL SYSTEM



Item No.	Part Number	Description	Q'TY	Remark
1	380140215-0003	Hexagon bolt with flange	2	
2	171340029-T270	Throttle control handle	1	
3	380350008-0001	Hexagon locknut for non-metal insert	1	
4	171580022-0001	Speed control module	1	
5	174230001-0001	Fuel adjustment combination	1	
6	194530021-0001	SHIFTING FORK Combination	1	
7	381140478-0001	Tension spring	1	
8	171600051-0001	Governing spring	1	
9	380650377-0001	Oil seal	1	
10	380450592-0001	Flat washer	2	
11	381160150-0001	Torsion spring	1	