

# V-TUF<sup>®</sup>



# AEROMAX500

## OPERATOR MANUAL



Please read this manual before using the AEROMAX500

# INDEX

INDEX.....	.....
1 INTRODUCTION .....	4
2 PRECAUTIONS .....	5
3 USE .....	6
4 MAINTENANCE AND CLEANING .....	10
5 TROUBLESHOOTING.....	11
6 DECOMMISSIONING.....	12
7 DECLARATION OF CONFORMITY .....	13

## TECHNICAL SPECIFICATION

MODEL	AEROMAX 500-110 & Aeromax500- 240
VOLT [V-Hz]	110/230 V - 50/60 Hz
BLOWER POWER [W]	158
AIR FLOW [m <sup>3</sup> / h]	520
PREVALENCE [Pa]	350
PREFILTER CLASS	G4
PREFILTER SURFACE [m <sup>2</sup> ]	0,2
FILTER CLASS	EN1822-1-HEPA13 / EN60335-2-69 -H
FILTER SURFACE [m <sup>2</sup> ]	4,2
INLET –OUTLET [mm]	140
ACOUSTIC PRESSURE [dB (A)]	65
WEIGHT [kg]	18
DIMENSIONS (LxWxH) [mm]	618x360x430

## 1. INTRODUCTION

This manual contains specifications, performance, installation and transportation regulations, instructions of use and preventive maintenance and corrective for professional use of AEROMAX 500 produced by Fenco Group. Thanking for having chosen one of our products. We wish you good job.

At the end of the consultation you keep this manual in order to have it always at hand. The Fenco Group reserves the right to require the provision of additional copies recast costs and the acceptance of particular clauses in relation to legitimate defense of ideological property rights, patent and executive and functional identity of the product and / or parts of it. The Fenco Group reserve the right to make changes without notice. It is understood that is not permitted, except as a result of a specific written approval of Fenco Group, transmission to third parties of all or part of this manual, both in the text and illustrations, and the attached diagrams. Any modification, addition or deletion of elements, components, functions or cycles of AEROMAX500 not previously agreed with Fenco Group relieves the manufacturer of any liability.

The Manual of use and maintenance instructions is the property of Fenco Group Ltd T/A V-TUF Till Bridge Lane | Scampton |LN1 2SX. This manual has been prepared for the purposes authorized by law, any other use by third parties will be punished in accordance with current laws.

NOTE: **This manual should be considered an integral part of AEROMAX500** and should remain with it for the duration of the product life. This manual is an integral part of AEROMAX500 in the sense that **its reading and understanding are priority needs and are a necessity for the proper use and safety of the product. Fenco Group it is considered not responsible for damages caused by improper installation and use not explicitly specified in this manual.**



## 2. PRECAUTIONS

The Fenco Group disclaims any liability or warranty in case of changes and tampering, even minimal, by any person with respect to the purchased product to obtain various benefits, or do different jobs for which the machine was designed.

All materials and components used for its construction meet the CE safety standards and at the Fenco Group They have deposited their respective data sheets and certifications.

1. Please read this manual before starting up the Air Cleaner;
2. Ensure that the staff who will use the Air Cleaner has read the instruction manual;
3. Check that the fan does not have suffered shock or damage;
4. Use the DPI prescribed by the employer;
5. For cleaning use only products suitable for use;
6. The machine requires no lubrication;
7. Do not use compressed air for cleaning the Air Cleaner;
8. To move the air cleaner use of the handles;
9. Avoid operating the dryer in temperatures below -10 ° C with a humidity of 70%;
10. Not to direct the outlet terminal at people or animals;
11. This machine is not intended for use by persons, including children, with reduced physical, sensory or mental capabilities, or lack of experience and conscience;
12. The appliance must only be used by people who have fully read this manual;
13. This machine is intended for commercial use, for example in hotels, schools, hospitals, factories, shops, offices and in shops;
14. CAUTION The device must be used indoors;
15. CAUTION The appliance must be disposed only indoors;

While using the machine pay attention to persons or property which may hinder the use of the machine.

### SAFETY STANDARDS



#### ATTENTION!

### Non-permitted uses can lead to electrical shock.

1. All current-carrying parts must be protected against the water jet;
2. Protect the fan from the rain;
3. Use the device uniquely in work situations for which it was designed and built.
4. Make sure that the electrical system to which it is connected to the air cleaner is suitable and efficient;
5. Ensure that the voltage and power frequency coincide with those reported on the air cleaner;
6. Do not start the machine in case of suspected failure;
7. Check the integrity of the control panel;
8. Do not pull the power cord;

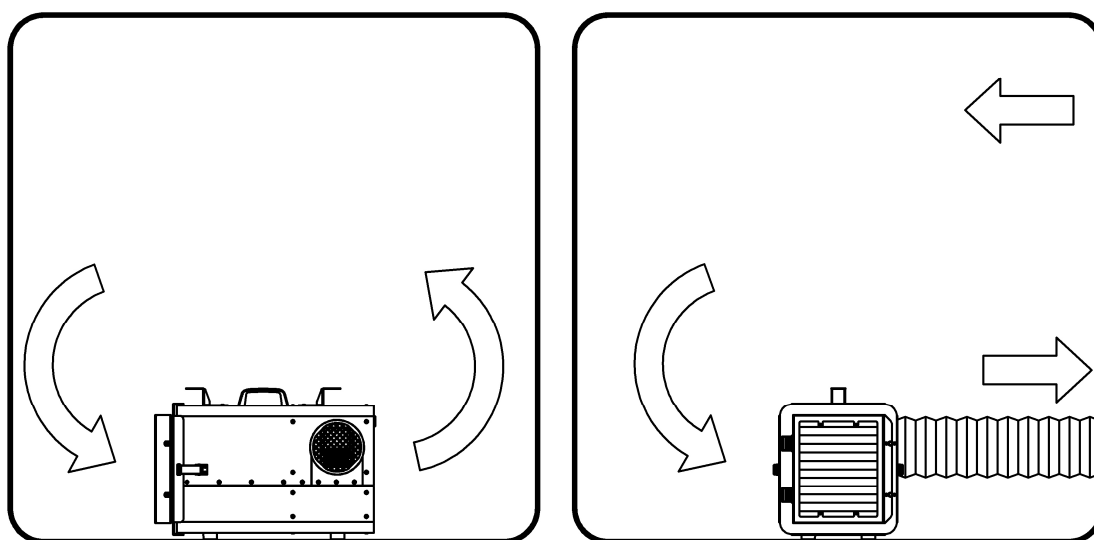
9. This device is not designed to pick up hazardous dust, it is prohibited from using this machine in ATEX zones;
10. Never leave the appliance unattended during working phases. Do not leave the appliance unattended and poised on stairs, or in places where the balance is poor;
11. The appliance must be disconnected from its power source during cleaning or maintenance and when replacing spare parts;
12. Use the handles to move the appliance.
13. Do not use the device in aggressive atmosphere.
14. Do not operate it when wet.
15. Do not use the device with wet or damp hands.
16. Do not expose the device to directly squirting water.
17. Never insert any object or limbs into the device.
18. Do not cover or transport the device during operation.
19. Do not sit on the device.
20. This appliance is not a toy. Keep away from children and animals. Do not leave the device unattended during operation.
21. Check accessories and connection parts for possible damage prior to every use of the device. Do not use any defective devices or device parts.

### 3. USE

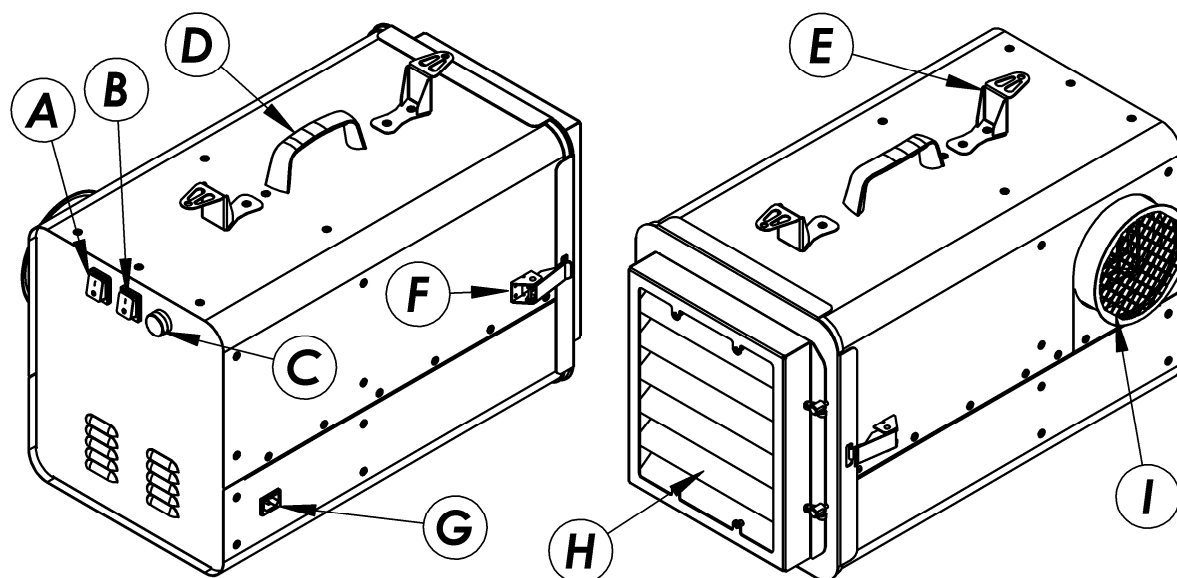
The AEROMAX500 air cleaner is designed for clearing the air in a workplace. The machine is used as a complement to spot extraction. The air is circulated through a pre-filter and HEPA filter. The HEPA filter has an extremely high degree of separation and in practice separates all airborne dust particles that go through the filter.

In case of reduced suction, the pre-filter must be replaced. If the suction performance does not increase after the pre-filter replacement, replace the HEPA filter.

The AEROMAX500 can be used to evacuate air from a space where you want to create a negative pressure by connecting the outlet to an evacuation hose. Clean, fresh air flow in from the outside.



## 3.1. DEVICE DESCRIPTION



- A . Power on-off Switch.
- B. UV lamp switch (optional).
- C. Clogged filter alarm.
- D. Handle.
- E. Power cord hook.
- F. Filter Vane clamps.
- G. Power cord socket.
- H. Inlet.
- I. Outlet.

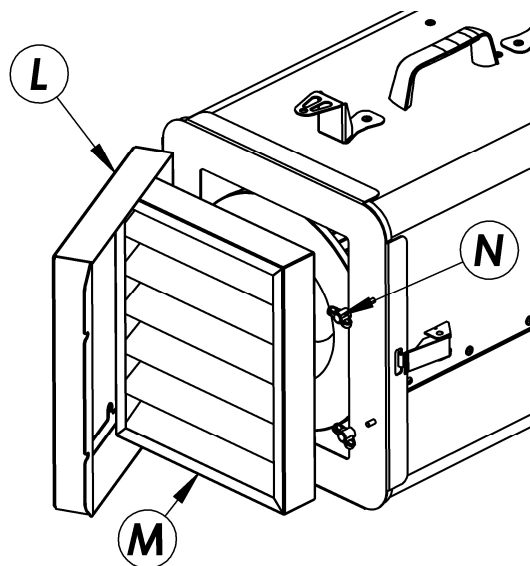
## 3.2 OPERATION

Check that the electrical connection corresponds to the specifications in the technical data chapter. Insert the power cord into the socket (G) on the side of the machine. Turn on the machine by the switch (A) on the front panel. If available, turn on the UV lamp inside the filter. The UV lamp adds a sterilization function to the device. You can barely see a blue light glimmer through the outlet grid. This indicates you that the UV lamp is active.

When the suction power starts to drop due to excessive dust load, this is indicated by the blinking red warning light and sound alarm from the clogged filter alarm (C). Replace the pre-filter cell.

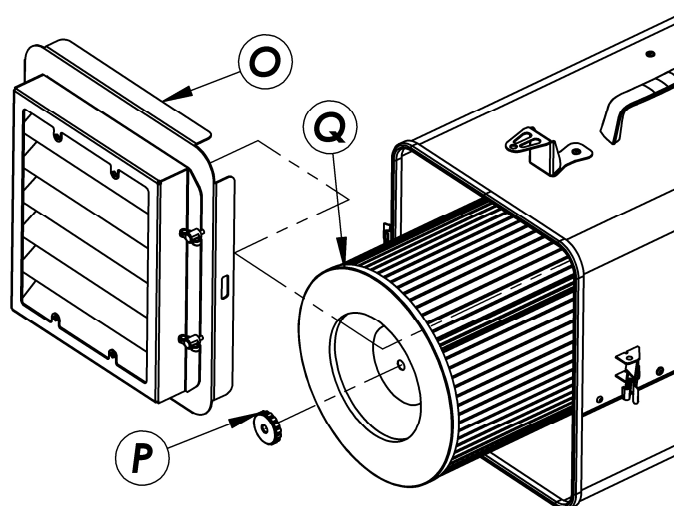
If the suction power is still weak after pre-filter replacement, replace the HEPA filter. In case of heavy dust load the filter service life is shorter.

### 3.3. PRE-FILTER REPLACEMENT



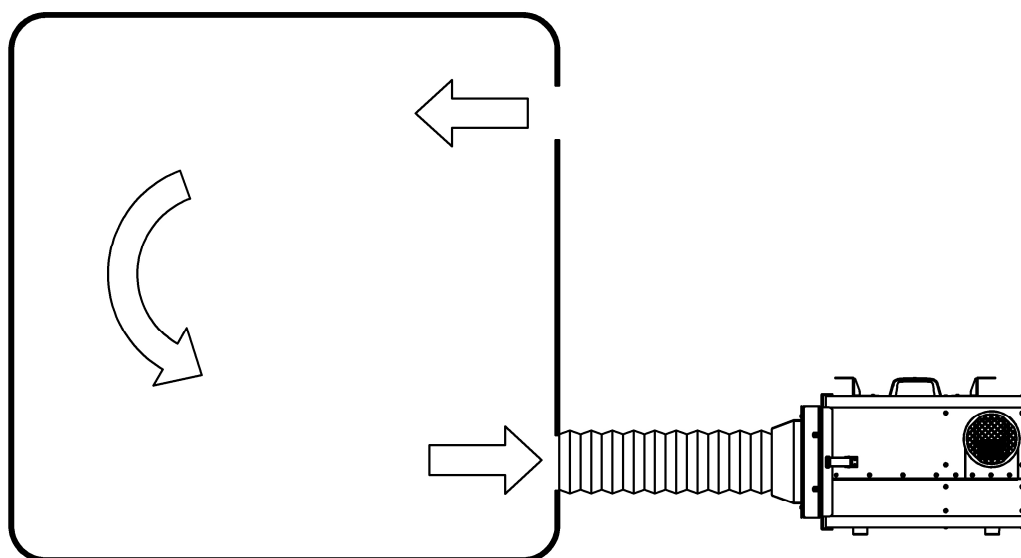
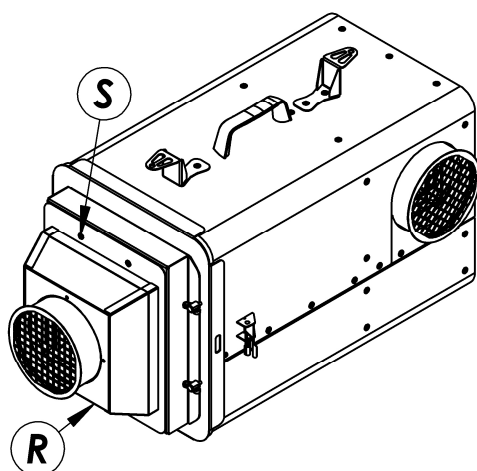
Unlock the two wing nuts (N) that retain the swivelling pre-filter support (L). Open the pre-filter support and replace the filtering cell (M).

### 3.4. MAIN FILTER REPLACEMENT



Disengage the two clamping hook (F) that retain the whole pre-filter support (O) and remove the latter. Unscrew the main filter retaining Knob (P) and Replace the main filter cartridge (Q).

### 3.5. INLET HOOD (OPTIONAL)



An optional inlet hood is available to use the device in ventilation mode (evacuating a room by negative pressure) when the device must be positioned outside the space that need to be cleaned.

The hood (R) can be mounted directly on the pre-filter support by means of four screw (S). The screws are included in the hood kit.

## 4. MAINTENANCE AND CLEANING

For the purpose of obtaining excellent results and ensure proper use, it requires periodic maintenance and cleaning, so that it does not change over time the requirements for which it was created.

The Fenco Group has identified work 500h (or at most 1 Calendar year) the maximum period within which it is appropriate to make a proper control to the machine.

**IMPORTANT:** The ordinary and extraordinary maintenance must be performed by qualified staff, always with sectioned electrical system.

VTM702	Cartridge Filter For AEROMAX500
VTM703	PRE FILTER For AEROMAX500
VTM706	Hood Adapter For AEROMAX500 fits to Air Ducting

## 5. TROUBLESHOOTING

	DEFECTS	CAUSE	REMEDY
POSSIBLE MALFUNCTIONS AND REMEDIES	The unit does not start	Lack power	Check the power connection.
	The device is loud or vibrates	Unstable positioning	Check whetheter the device is set up ina stable and upright position
	The device gets very warm, is loud or loses power	Clogged filters	Replace filters
	The warning light on the device light up and an acoustic signal is emitted	Clogged filters or kinked canalizing hoses	<p>If the warning light lights up during operation, this means that the filters must be replaced.</p> <p>If the device issues a warning although a new filter has just been inserted check whether any hoses connected to the device are kinked too much.</p>
	Machine blows dust	Filters loose or damaged	Check and replace as necessary

## 6. DECOMMISSIONING

DIRECTIVE 2011/65 / CE ON THE TREATMENT, COLLECTION, RECYCLING AND DISPOSAL OF ELECTRIC AND ELECTRONIC DEVICES AND THEIR COMPONENTS INFORMATION

### 1. FOR COUNTRIES IN THE EUROPEAN UNION (EU)

The disposal of electrical and electronic devices as solid urban waste is strictly prohibited: it must be collected separately. The dumping of these devices in places not equipped and unauthorized could have negative effects on both health and environment. Violators will be punished strictly by law.



FOR PROPER WASTE DISPOSAL:

to. Contact the Local Authorities, who will provide you with the relevant information you need and instructions on how to dispose of waste correctly, for example: location and times of disposal facilities authorized, etc.

b. When you buy a tract of our, delivery apparatus similar to what you're buying from our dealer for proper disposal. The dustbin with a cross indicated on the apparatus indicates that purchased:

- When it is time to discard the apparatus, you have to take it to an authorized service center for disposal and keep it separate from municipal waste.
- The manufacturer guarantees the activation of procedures for treatment, collection, recycling and disposal in accordance with the Directive 2011/65 / EC (and subsequent amendments).

### 2. FOR NON-EEC COUNTRIES (OUT BY THE EUROPEAN UNION)

The treatment, collection, recycling and disposal of electrical and electronic equipment will be carried out in accordance with the laws in force in the countries in question.



**V-TUF<sup>®</sup>**

[www.V-TUF.COM](http://www.V-TUF.COM)